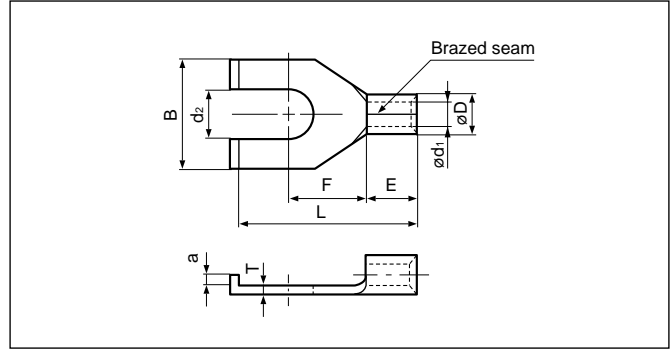


FLANGED SPADE TONGUE (B type) Non-insulated

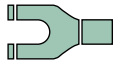


File No.: E42024 LR20812

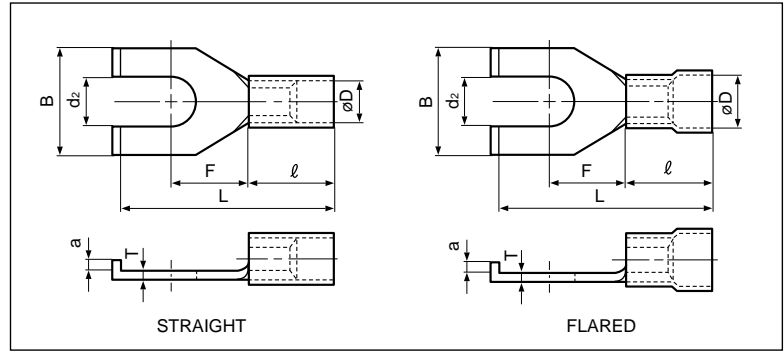
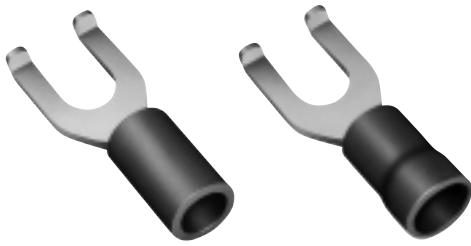
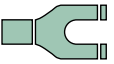
| Applicable Wire AWG#(mm ²) | Stud size | | Part No. | Standard | Dimensions mm (in.) | | | | | | | | | Tool No. | Qty/box |
|---|-----------|---------|-----------|------------|---------------------|-------------|--------------|-------------|---------------|---------------|---------------|---------------|---------------|--|---------|
| | American | Metric | | | dz | B | L | F | E | ø D | ø d1 | a | T | | |
| 26 to 22 (0.25 to 0.5) | 1-2 | 2 | 0.5-2B | | 2.2 (.087) | 4.6 (.181) | 11.6 (.457) | 4.5 (.177) | 4.0 (.157) | 2.0 (.079) | 1.0 (.039) | 1.0 (.039) | 0.5 (.020) | YHT-2622 YA-1 YA-2 BCT-0514 | 1,000 |
| | 3-4 | 3.5 | 0.5-3B | | 3.7 (.146) | 6.5 (.256) | 12.6 (.496) | 5.8 (.228) | | | | | | | |
| | 8 | 4 | 0.5-4B | | 4.3 (.169) | 7.0 (.276) | 15.0 (.591) | 6.3 (.248) | | | | | | | |
| 22 to 16 (0.25 to 1.65) | 5-6 | 3.5 | 1.25-T3B | | 3.7 (.146) | 6.4 (.252) | 13.1 (.516) | 5.1 (.201) | 4.8 (.189) | 3.4 (.134) | 1.7 (.067) | 1.0 (.039) | 0.8 (.031) | YHT-2210 YA-1 YA-2 YA-4 BCT-0514 | 1,000 |
| | 5-6 | 3.5 | 1.25-YS3B | | 3.7 (.146) | 6.4 (.252) | 14.2 (.559) | 6.3 (.248) | | | | | | | |
| | 5-6 | 3.5 | 1.25-S3B | | 3.7 (.146) | 7.5 (.295) | 13.1 (.516) | 5.1 (.201) | | | | | | | |
| | 5-6 | 3.5 | 1.25-3B | | 3.7 (.146) | 8.5 (.335) | 17.5 (.689) | 7.2 (.284) | | | | | | | |
| | 8 | 4 | 1.25-YS4B | | 4.3 (.169) | 6.4 (.252) | 14.2 (.559) | 6.3 (.248) | | | | | | | |
| | 8 | 4 | 1.25-S4B | | 4.3 (.169) | 7.5 (.295) | 13.1 (.516) | 5.1 (.201) | | | | | | | |
| | 8 | 4 | 1.25-4B | | 4.3 (.169) | 8.5 (.335) | 18.5 (.728) | 7.2 (.284) | | | | | | | |
| | 10 | 5 | 1.25-5B | | 5.3 (.209) | 8.5 (.335) | 18.5 (.728) | 7.2 (.284) | | | | | | | |
| 1/4 | 6 | 1.25-6B | | 6.4 (.252) | 13.5 (.532) | 24.0 (.945) | 11.7 (.461) | | | | | | | | |
| 16 to 14 (1.04 to 2.63) | 5-6 | 3.5 | 2-YS3B | | 3.7 (.146) | 6.4 (.252) | 14.4 (.567) | 6.3 (.248) | 4.8 (.189) | 4.1 (.161) | 2.3 (.091) | 1.5 (.059) | 0.8 (.031) | YHT-2210 YA-1 YA-2 YA-4 BCT-0514 | 1,000 |
| | 5-6 | 3.5 | 2-T3B | | 3.7 (.146) | 7.5 (.295) | 13.5 (.532) | 5.2 (.205) | | | | | | | |
| | 5-6 | 3.5 | 2-S3B | | 3.7 (.146) | 8.5 (.335) | 14.8 (.583) | 7.2 (.283) | | | | | | | |
| | 5-6 | 3.5 | 2-3B | | 3.7 (.146) | 8.5 (.335) | 17.0 (.670) | 7.2 (.283) | | | | | | | |
| | 8 | 4 | 2-T4B | | 4.3 (.169) | 7.5 (.295) | 13.5 (.532) | 5.2 (.205) | | | | | | | |
| | 8 | 4 | 2-S4B | | 4.3 (.169) | 8.5 (.335) | 14.8 (.583) | 7.2 (.283) | | | | | | | |
| | 8 | 4 | 2-E4B | | 4.3 (.169) | 8.5 (.335) | 15.2 (.598) | 7.3 (.287) | | | | | | | |
| | 8 | 4 | 2-4B | | 4.3 (.169) | 8.5 (.335) | 17.0 (.670) | 7.3 (.287) | | | | | | | |
| | 10 | 5 | 2-5B | | 5.3 (.209) | 8.5 (.335) | 17.0 (.670) | 7.3 (.287) | | | | | | | |
| | 1/4 | 6 | 2-6B | | 6.4 (.252) | 13.5 (.532) | 24.0 (.945) | 11.7 (.461) | | | | | | | |
| 12 to 10 (2.63 to 6.64) | 5-6 | 3.5 | 5.5-S3B | | 3.7 (.146) | 7.6 (.299) | 18.0 (.709) | 6.2 (.244) | 6.8 (.268) | 5.6 (.221) | 3.4 (.134) | 1.5 (.059) | 1.0 (.039) | YHT-2210 YA-1 YA-2 YA-4 BCT-0514 | 1,000 |
| | 5-6 | 3.5 | 5.5-3B | | 3.7 (.146) | 8.5 (.335) | 19.5 (.768) | 7.5 (.295) | | | | | | | |
| | 8 | 4 | 5.5-S4B | | 4.3 (.169) | 7.6 (.299) | 18.0 (.709) | 6.2 (.244) | | | | | | | |
| | 8 | 4 | 5.5-4B | | 4.3 (.169) | 8.5 (.335) | 19.5 (.768) | 7.5 (.295) | | | | | | | |
| | 10 | 5 | 5.5-S5B | | 5.3 (.209) | 7.6 (.299) | 18.0 (.709) | 6.2 (.244) | | | | | | | |
| | 10 | 5 | 5.5-5B | | 5.3 (.209) | 8.5 (.335) | 19.5 (.768) | 7.5 (.295) | | | | | | | |
| | 10 | 5 | 5.5-E5B | | 5.3 (.209) | 9.5 (.374) | 17.5 (.689) | 7.5 (.295) | | | | | | | |
| | 1/4 | 6 | 5.5-6B | | 6.4 (.252) | 13.5 (.532) | 26.5 (1.043) | 12.2 (.480) | | | | | | | |

Note: 1) The part numbers indicated in the above table are for products with a brazed seam.
 When ordering products with a butted seam, add the prefix "WS" to the part number (ex. 2-4B → **WS2-4B**).
 2) Delivery lead times may vary depending on the product. Contact JST for details.

Solderless terminals



FLANGED SPADE TONGUE (B type) Vinyl-insulated

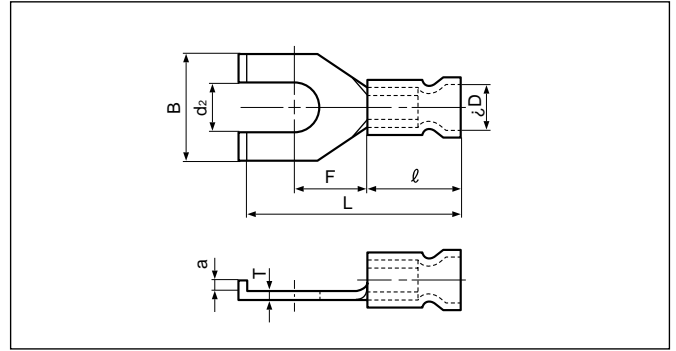


File No.: E42024 LR20812

| Applicable Wire AWG#(mm ²) | Stud size | | Part No. | | Standard | Dimensions mm (in.) | | | | | | | | | | Color | Tool No. | Qty/box |
|---|-----------|----------|------------|-------------|------------|---------------------|--------------|--------------|------------|------------|-------------|------------|------------|------------|--------|--|----------|---------|
| | American | Metric | Straight | Flared | | d ₂ | B | L | F | a | l | ø D | | T | | | | |
| | | | | | | | | | | | | | Str. | Flid. | | | | |
| 26 to 22 (0.2 to 0.5) | 1-2 | 2 | V0.5-2B | FV0.5-2B | | 2.2 (.087) | 4.6 (.181) | 15.6 (.614) | 4.5 (.177) | 1.0 (.039) | 8.0 (.315) | 1.9 (.075) | 2.9 (.114) | 0.5 (.020) | Yellow | YNT-2622 YA-1, YA-2 BCT-0514 | 1,000 | |
| | 5-6 | 3.5 | V0.5-3B | FV0.5-3B | | 3.7 (.146) | 6.5 (.256) | 16.6 (.654) | 5.8 (.228) | | | | | | | | | |
| 22 to 16 (0.25 to 1.65) | 5-6 | 3.5 | V1.25-YS3B | FV1.25-YS3B | | 3.7 (.146) | 6.4 (.252) | 18.4 (.724) | 6.3 (.248) | 0.8 (.031) | 9.0 (.354) | 3.2 (.126) | 4.0 (.157) | 0.8 (.031) | Red | YNT-2216 YA-1 YA-2 YA-4 BCT-0514 | 1,000 | |
| | 5-6 | 3.5 | V1.25-S3B | FV1.25-S3B | | 3.7 (.146) | 7.5 (.295) | 17.3 (.681) | 5.1 (.201) | 1.5 (.059) | | | | | | | | |
| | 5-6 | 3.5 | V1.25-3B | FV1.25-3B | | 3.7 (.146) | 8.5 (.335) | 21.7 (.854) | 7.2 (.284) | | | | | | | | | |
| | 8 | 4 | V1.25-YS4B | FV1.25-YS4B | | 4.3 (.169) | 6.4 (.252) | 18.4 (.724) | 6.3 (.248) | 0.8 (.031) | | | | | | | | |
| | 8 | 4 | V1.25-S4B | FV1.25-S4B | | 4.3 (.169) | 7.5 (.295) | 17.3 (.681) | 5.1 (.201) | 1.5 (.059) | | | | | | | | |
| | 8 | 4 | V1.25-4B | FV1.25-4B | | 4.3 (.169) | 8.5 (.335) | 22.7 (.894) | 7.2 (.284) | | | | | | | | | |
| | 10 | 5 | V1.25-5B | FV1.25-5B | | 5.3 (.209) | 8.5 (.335) | 22.7 (.894) | 7.2 (.284) | | | | | | | | | |
| 1/4 | 6 | V1.25-6B | FV1.25-6B | | 6.4 (.252) | 13.5 (.532) | 28.2 (1.110) | 11.7 (.461) | | | | | | | | 500 | | |
| 16 to 14 (1.04 to 2.63) | 5-6 | 3.5 | V2-YS3B | FV2-YS3B | | 3.7 (.146) | 6.4 (.252) | 18.6 (.732) | 6.3 (.248) | 0.8 (.031) | 9.0 (.354) | 3.9 (.154) | 4.5 (.177) | 0.8 (.031) | Blue | YNT-1614 YA-1 YA-2 YA-4 BCT-0514 | 1,000 | |
| | 5-6 | 3.5 | V2-T3B | FV2-T3B | | 3.7 (.146) | 7.5 (.295) | 17.7 (.697) | 5.2 (.205) | 1.5 (.059) | | | | | | | | |
| | 5-6 | 3.5 | V2-S3B | FV2-S3B | | 3.7 (.146) | 8.5 (.335) | 19.0 (.748) | 7.2 (.284) | | | | | | | | | |
| | 5-6 | 3.5 | V2-3B | FV2-3B | | 3.7 (.146) | 8.5 (.335) | 21.2 (.835) | 7.2 (.284) | | | | | | | | | |
| | 8 | 4 | V2-T4B | FV2-T4B | | 4.3 (.169) | 7.5 (.295) | 17.7 (.696) | 5.2 (.205) | 1.0 (.039) | | | | | | | | |
| | 8 | 4 | V2-S4B | FV2-S4B | | 4.3 (.169) | 8.5 (.335) | 19.0 (.748) | 7.2 (.284) | 1.5 (.059) | | | | | | | | |
| | 8 | 4 | V2-E4B | FV2-E4B | | 4.3 (.169) | 8.5 (.335) | 19.4 (.764) | 7.3 (.287) | | | | | | | | | |
| | 8 | 4 | V2-4B | FV2-4B | | 4.3 (.169) | 8.5 (.335) | 21.2 (.835) | 7.3 (.287) | | | | | | | | | |
| 10 | 5 | V2-5B | FV2-5B | | 5.3 (.209) | 8.5 (.335) | 21.2 (.835) | 7.3 (.287) | | | | | | | | | | |
| 1/4 | 6 | V2-6B | FV2-6B | | 6.4 (.252) | 13.5 (.532) | 28.2 (1.110) | 11.7 (.461) | | | | | | | | 500 | | |
| 12 to 10 (2.63 to 6.64) | 5-6 | 3.5 | V5.5-S3B | FV5.5-S3B | | 3.7 (.146) | 7.6 (.299) | 24.7 (.972) | 6.2 (.244) | 1.5 (.059) | 13.5 (.531) | 5.4 (.213) | 6.8 (.268) | 1.0 (.039) | Yellow | YNT-1210S YA-4 BCT-0514 | 500 | |
| | 5-6 | 3.5 | V5.5-3B | FV5.5-3B | | 3.7 (.146) | 8.5 (.335) | 26.2 (1.032) | 7.5 (.295) | | | | | | | | | |
| | 8 | 4 | V5.5-S4B | FV5.5-S4B | | 4.3 (.169) | 7.6 (.299) | 24.7 (.972) | 6.2 (.244) | | | | | | | | | |
| | 8 | 4 | V5.5-4B | FV5.5-4B | | 4.3 (.169) | 8.5 (.335) | 26.2 (1.032) | 7.5 (.295) | | | | | | | | | |
| | 10 | 5 | V5.5-S5B | FV5.5-S5B | | 5.3 (.209) | 7.6 (.299) | 24.7 (.972) | 6.2 (.244) | | | | | | | | | |
| | 10 | 5 | V5.5-5B | FV5.5-5B | | 5.3 (.209) | 8.5 (.335) | 26.2 (1.032) | 7.5 (.295) | | | | | | | | | |
| | 10 | 5 | V5.5-E5B | FV5.5-E5B | | 5.3 (.209) | 9.5 (.374) | 24.2 (.953) | 7.5 (.295) | | | | | | | | | |
| 1/4 | 6 | V5.5-6B | FV5.5-6B | | 6.4 (.252) | 13.5 (.532) | 33.2 (1.307) | 12.2 (.480) | | | | | | | | 250 | | |

- Note:1) *The crimping will be more secure if the total cross-sectional area of the wire is at least 0.5 mm².
 Examples: If the cross-sectional area of the wire is 0.3mm², fold the wire in two when crimping the terminal.
 If the cross-sectional area of the wire is 0.5mm², crimp the terminal onto the wire as it is.
- The part numbers indicated in the above table are for products with a brazed seam.
 When ordering products with a butted seam, add the prefix "WS" to the part number (ex. V2-4B → **VWS2-4B**).
 - To order products with nylon insulation, change the "V" in the part number prefix to "N" (ex. V2-T4B → **N2-T4B**).
 Because nylon absorbs moisture, care must be taken concerning storage.
 - Delivery lead times may vary depending on the product. Contact JST for details.

FLANGED SPADE TONGUE (B type) Vinyl-insulated (funnel-entry)



File No.: E42024 LR20812

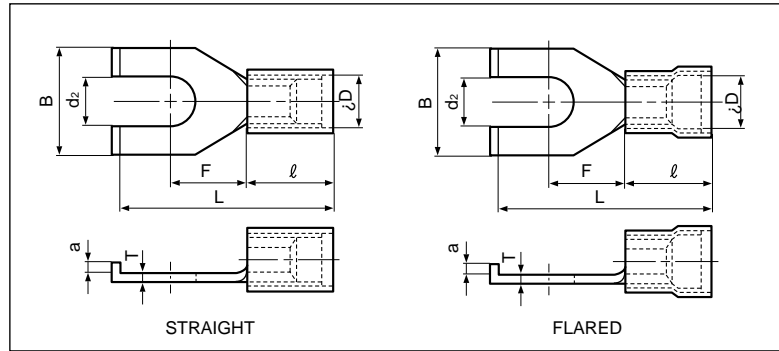
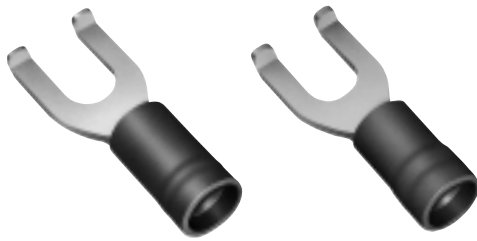
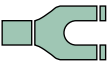
| Applicable Wire AWG# (mm ²) | Stud size | | Part No. | Standard | Dimensions mm (in.) | | | | | | | | Color | Tool No. | Qty/box |
|--|-----------|--------|--------------|-----------|---------------------|-------------|--------------|--------------|---------------|----------------|---------------|---------------|--------|--|-------------|
| | American | Metric | | | d ₂ | B | L | F | a | ℓ | øD | T | | | |
| 22 to 16 *(0.25 to 1.65) | 5-6 | 3.5 | FVX1.25-YS3B | | 3.7 (.146) | 6.4 (.252) | 20.2 (.795) | 6.3 (.248) | 0.8 (.031) | 10.8 (.425) | 4.0 (.157) | 0.8 (.031) | Red | YNT-2216 YA-1 YA-2 YA-4 BCT-0514 | 1,000 |
| | 5-6 | 3.5 | FVX1.25-S3B | | 3.7 (.146) | 7.5 (.295) | 19.1 (.752) | 5.1 (.201) | 1.5 (.059) | | | | | | |
| | 5-6 | 3.5 | FVX1.25-3B | | 3.7 (.146) | 8.5 (.335) | 23.5 (.925) | 7.2 (.284) | 1.5 (.059) | | | | | | |
| | 8 | 4 | FVX1.25-YS4B | | 4.3 (.169) | 6.4 (.252) | 20.2 (.795) | 6.3 (.248) | 0.8 (.031) | | | | | | |
| | 8 | 4 | FVX1.25-S4B | | 4.3 (.169) | 7.5 (.295) | 19.1 (.752) | 5.1 (.201) | 1.5 (.059) | | | | | | |
| | 8 | 4 | FVX1.25-4B | | 4.3 (.169) | 8.5 (.335) | 24.5 (.965) | 7.2 (.283) | 1.5 (.059) | | | | | | |
| | 10 | 5 | FVX1.25-5B | | 5.3 (.209) | 8.5 (.335) | 24.5 (.965) | 7.2 (.283) | 1.5 (.059) | | | | | | |
| | 1/4 | 6 | FVX1.25-6B | | 6.4 (.252) | 13.5 (.531) | 30.0 (1.181) | 11.7 (.461) | | | | | | | - |
| 16 to 14 (1.04 to 2.63) | 5-6 | 3.5 | FVX2-YS3B | | 3.7 (.146) | 6.4 (.252) | 20.4 (.803) | 6.3 (.248) | 0.8 (.031) | 10.8 (.425) | 4.6 (.181) | 0.8 (.031) | Blue | YNT-1614 YA-1 YA-2 YA-4 BCT-0514 | 1,000 |
| | 5-6 | 3.5 | FVX2-T3B | | 3.7 (.146) | 7.5 (.295) | 19.5 (.768) | 5.2 (.205) | 1.5 (.059) | | | | | | |
| | 5-6 | 3.5 | FVX2-S3B | | 3.7 (.146) | 8.5 (.335) | 20.8 (.819) | 7.2 (.283) | 1.5 (.059) | | | | | | |
| | 5-6 | 3.5 | FVX2-3B | | 3.7 (.146) | 8.5 (.335) | 23.0 (.906) | 7.2 (.283) | 1.5 (.059) | | | | | | |
| | 8 | 4 | FVX2-T4B | | 4.3 (.169) | 7.5 (.295) | 19.5 (.768) | 5.2 (.205) | 1.0 (.039) | | | | | | |
| | 8 | 4 | FVX2-S4B | | 4.3 (.169) | 8.5 (.335) | 20.8 (.819) | 7.2 (.283) | 1.5 (.059) | | | | | | |
| | 8 | 4 | FVX2-E4B | | 4.3 (.169) | 8.5 (.335) | 21.2 (.835) | 7.3 (.287) | 1.5 (.059) | | | | | | |
| | 8 | 4 | FVX2-4B | | 4.3 (.169) | 8.5 (.335) | 23.0 (.906) | 7.3 (.287) | 1.5 (.059) | | | | | | |
| | 10 | 5 | FVX2-5B | | 5.3 (.209) | 8.5 (.335) | 23.0 (.906) | 7.3 (.287) | 1.5 (.059) | | | | | | |
| | 1/4 | 6 | FVX2-6B | | 6.4 (.252) | 13.5 (.531) | 30.0 (1.181) | 11.7 (.461) | | | | | | | - |
| 12 to 10 (2.63 to 6.64) | 5-6 | 3.5 | FVX5.5-S3B | | 3.7 (.146) | 7.6 (.299) | 25.2 (.992) | 6.2 (.244) | 1.5 (.059) | 14.0 (.551) | 6.8 (.268) | 1.0 (.039) | Yellow | YNT-1210S YA-4 BCT-0514 | 500 |
| | 5-6 | 3.5 | FVX5.5-3B | | 3.7 (.146) | 8.5 (.335) | 26.7 (1.051) | 7.5 (.295) | | | | | | | |
| | 8 | 4 | FVX5.5-S4B | | 4.3 (.169) | 7.6 (.299) | 25.2 (.992) | 6.2 (.244) | | | | | | | |
| | 8 | 4 | FVX5.5-4B | | 4.3 (.169) | 8.5 (.335) | 26.7 (1.051) | 7.5 (.295) | | | | | | | |
| | 10 | 5 | FVX5.5-S5B | | 5.3 (.209) | 7.6 (.299) | 25.2 (.992) | 6.2 (.244) | | | | | | | |
| | 10 | 5 | FVX5.5-5B | | 5.3 (.209) | 8.5 (.335) | 26.7 (1.051) | 7.5 (.295) | | | | | | | |
| | 10 | 5 | FVX5.5-E5B | | 5.3 (.209) | 9.6 (.378) | 24.7 (.972) | 7.5 (.295) | | | | | | | |
| | | 1/4 | 6 | FVX5.5-6B | | 6.4 (.252) | 13.5 (.531) | 33.7 (1.327) | | | | | | | 12.2 (.480) |

- Note: 1) The part numbers indicated in the above table are for products with a brazed seam.
 When ordering products with a butted seam, add the prefix "WS" to the part number (ex. FVX2-4B → **FVXWS2-4B**).
 2) *The crimping will be more secure if the total cross-sectional area of the wire is at least 0.5 mm².
 Examples: If the cross-sectional area of the wire is 0.3mm², fold the wire in two when crimping the terminal.
 If the cross-sectional area of the wire is 0.5mm², crimp the terminal onto the wire as it is.
 3) Delivery lead times may vary depending on the product. Contact JST for details.

Solderless terminals



FLANGED SPADE TONGUE (B type) Vinyl-insulated with copper sleeve



File No.: E42024 LR20812

| Applicable Wire AWG#(mm ²) | Stud size | | Part No. | | Standard | Dimensions mm (in.) | | | | | | | | | | Color | Tool No. | Qty/box | |
|---|-----------|--------|-------------|--------------|----------|---------------------|-------------|--------------|-------------|---------------|----------------|---------------|---------------|---------------|--|------------------------------------|----------|---------|--|
| | American | Metric | Straight | Flared | | d ₂ | B | L | F | a | l | ø D | | T | | | | | |
| | | | | | | | | | | | | | | Str. | Fid. | | | | |
| 26 to 22 (0.2 to 0.5) | 1-2 | 2 | VD0.5-2B | - | | 2.2 (.087) | 4.6 (.181) | 15.6 (.614) | 4.5 (.177) | 1.0 (.039) | 8.0 (.315) | 2.2 (.087) | 2.5 (.098) | 0.5 (.020) | Yellow | YNT-2622 YA-1, YA-2 BCT-0514 | 1,000 | | |
| | 5-6 | 3.5 | VD0.5-3B | - | | 3.7 (.146) | 6.5 (.256) | 16.6 (.654) | 5.8 (.228) | | | | | | | | | | |
| | 1-2 | 2 | - | FVD0.5-2B | | 2.2 (.087) | 4.6 (.181) | 15.9 (.626) | 4.5 (.177) | | | | | | | | | | |
| | 5-6 | 3.5 | - | FVD0.5-3B | | 3.7 (.146) | 6.5 (.256) | 16.9 (.665) | 5.8 (.228) | | | | | | | | | | |
| 22 to 16 (0.25 to 1.65) | 5-6 | 3.5 | VD1.25-YS3B | FVD1.25-YS3B | | 3.7 (.146) | 6.4 (.252) | 19.0 (.748) | 6.3 (.248) | 9.6 (.378) | 3.5 (.138) | 4.0 (.157) | 0.8 (.031) | Red | YNT-2216 YA-1 YA-2 YA-4 BCT-0514 | 1,000 | | | |
| | 5-6 | 3.5 | VD1.25-S3B | FVD1.25-S3B | | 3.7 (.146) | 7.5 (.295) | 17.9 (.705) | 5.1 (.201) | | | | | | | | | | |
| | 5-6 | 3.5 | VD1.25-3B | FVD1.25-3B | | 3.7 (.146) | 8.5 (.335) | 22.3 (.878) | 7.2 (.283) | | | | | | | | | | |
| | 8 | 4 | VD1.25-YS4B | FVD1.25-YS4B | | 4.3 (.169) | 6.4 (.252) | 19.0 (.748) | 6.3 (.248) | | | | | | | | | | |
| | 8 | 4 | VD1.25-S4B | FVD1.25-S4B | | 4.3 (.169) | 7.5 (.295) | 17.9 (.705) | 5.1 (.201) | | | | | | | | | | |
| | 8 | 4 | VD1.25-4B | FVD1.25-4B | | 4.3 (.169) | 8.5 (.335) | 23.3 (.917) | 7.2 (.283) | | | | | | | | | | |
| | 10 | 5 | VD1.25-5B | FVD1.25-5B | | 5.3 (.209) | 8.5 (.335) | 23.3 (.917) | 7.2 (.283) | | | | | | | | | | |
| | 1/4 | 6 | VD1.25-6B | FVD1.25-6B | | 6.4 (.252) | 13.5 (.531) | 28.8 (1.134) | 11.7 (.461) | | | | | | | | | | |
| 16 to 14 (1.04 to 2.63) | 5-6 | 3.5 | VD2-YS3B | FVD2-YS3B | | 3.7 (.146) | 6.4 (.252) | 19.2 (.756) | 6.3 (.248) | 9.6 (.378) | 4.1 (.161) | 4.7 (.185) | 0.8 (.031) | Blue | YNT-1614 YA-1 YA-2 YA-4 BCT-0514 | 1,000 | | | |
| | 5-6 | 3.5 | VD2-T3B | FVD2-T3B | | 3.7 (.146) | 7.5 (.295) | 18.3 (.720) | 5.2 (.205) | | | | | | | | | | |
| | 5-6 | 3.5 | VD2-S3B | FVD2-S3B | | 3.7 (.146) | 8.5 (.335) | 19.6 (.772) | 7.2 (.283) | | | | | | | | | | |
| | 5-6 | 3.5 | VD2-3B | FVD2-3B | | 3.7 (.146) | 8.5 (.335) | 21.8 (.858) | 7.2 (.283) | | | | | | | | | | |
| | 8 | 4 | VD2-T4B | FVD2-T4B | | 4.3 (.169) | 7.5 (.295) | 18.3 (.720) | 5.2 (.205) | | | | | | | | | | |
| | 8 | 4 | VD2-S4B | FVD2-S4B | | 4.3 (.169) | 8.5 (.335) | 19.6 (.772) | 7.2 (.283) | | | | | | | | | | |
| | 8 | 4 | VD2-E4B | FVD2-E4B | | 4.3 (.169) | 8.5 (.335) | 20.0 (.787) | 7.3 (.287) | | | | | | | | | | |
| | 8 | 4 | VD2-4B | FVD2-4B | | 4.3 (.169) | 8.5 (.335) | 21.8 (.858) | 7.3 (.287) | | | | | | | | | | |
| | 10 | 5 | VD2-5B | FVD2-5B | | 5.3 (.209) | 8.5 (.335) | 21.8 (.858) | 7.3 (.287) | | | | | | | | | | |
| | 1/4 | 6 | VD2-6B | FVD2-6B | | 6.4 (.252) | 13.5 (.531) | 28.8 (1.134) | 11.7 (.461) | | | | | | | | | | |
| 12 to 10 (2.63 to 6.64) | 5-6 | 3.5 | VD5.5-S3B | FVD5.5-S3B | | 3.7 (.146) | 7.6 (.299) | 25.2 (.992) | 6.2 (.244) | 1.5 (.059) | 14.0 (.551) | 5.7 (.224) | 6.5 (.256) | 1.0 (.039) | Yellow | YNT-1210S YA-4 BCT-0514 | 500 | | |
| | 5-6 | 3.5 | VD5.5-3B | FVD5.5-3B | | 3.7 (.146) | 8.5 (.335) | 26.7 (1.051) | 7.5 (.295) | | | | | | | | | | |
| | 8 | 4 | VD5.5-S4B | FVD5.5-S4B | | 4.3 (.169) | 7.6 (.299) | 25.2 (.992) | 6.2 (.244) | | | | | | | | | | |
| | 8 | 4 | VD5.5-4B | FVD5.5-4B | | 4.3 (.169) | 8.5 (.335) | 26.7 (1.051) | 7.5 (.295) | | | | | | | | | | |
| | 10 | 5 | VD5.5-S5B | FVD5.5-S5B | | 5.3 (.209) | 7.6 (.299) | 25.2 (.992) | 6.2 (.244) | | | | | | | | | | |
| | 10 | 5 | VD5.5-5B | FVD5.5-5B | | 5.3 (.209) | 8.5 (.335) | 26.7 (1.051) | 7.5 (.295) | | | | | | | | | | |
| | 10 | 5 | VD5.5-E5B | FVD5.5-E5B | | 5.3 (.209) | 9.5 (.374) | 24.7 (.972) | 7.5 (.295) | | | | | | | | | | |
| | 1/4 | 6 | VD5.5-6B | FVD5.5-6B | | 6.4 (.252) | 13.5 (.531) | 33.7 (1.367) | 12.2 (.480) | | | | | | | | | | |

Note: 1) The part numbers indicated in the above table are for products with a brazed seam.
 When ordering products with a butted seam, add the prefix "WS" to the part number (ex. FVD2-4B → FVDWS2-4B).
 2) To order products with nylon insulation, change the "V" in the part number prefix to "N" (ex. VD2-4B → ND2-4B).
 Because nylon absorbs moisture, care must be taken concerning storage.
 3) Delivery lead times may vary depending on the product. Contact JST for details.